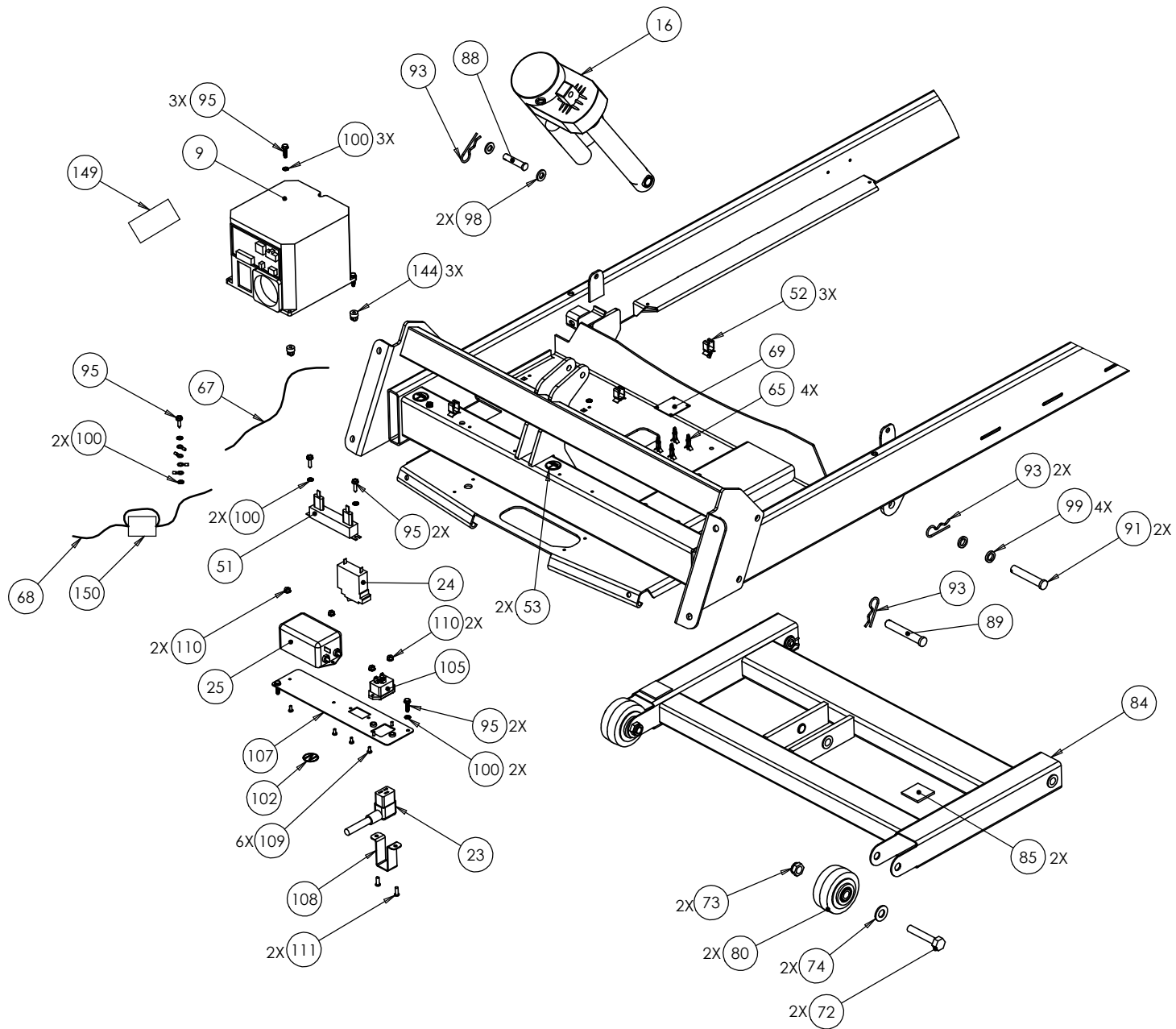
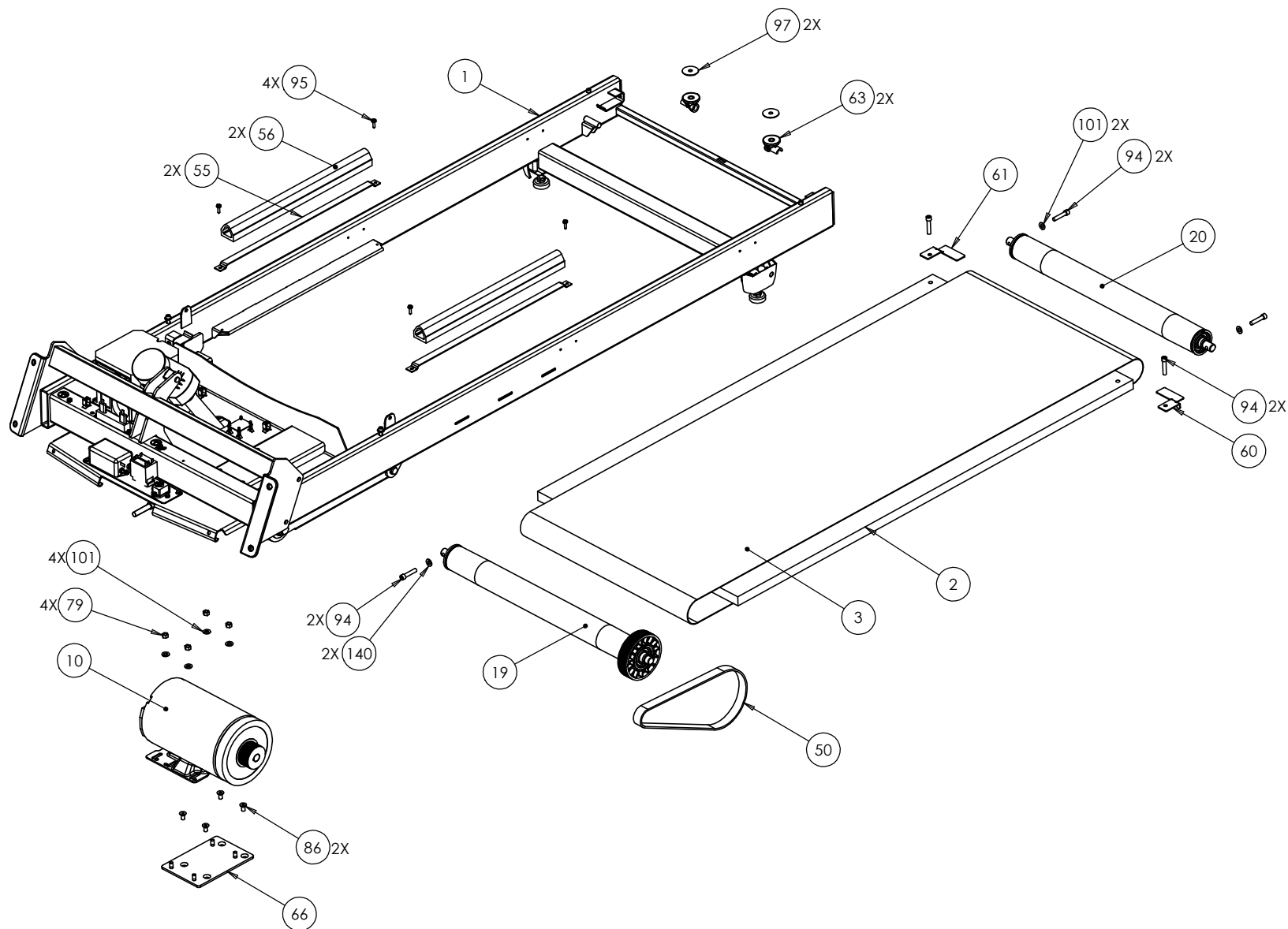
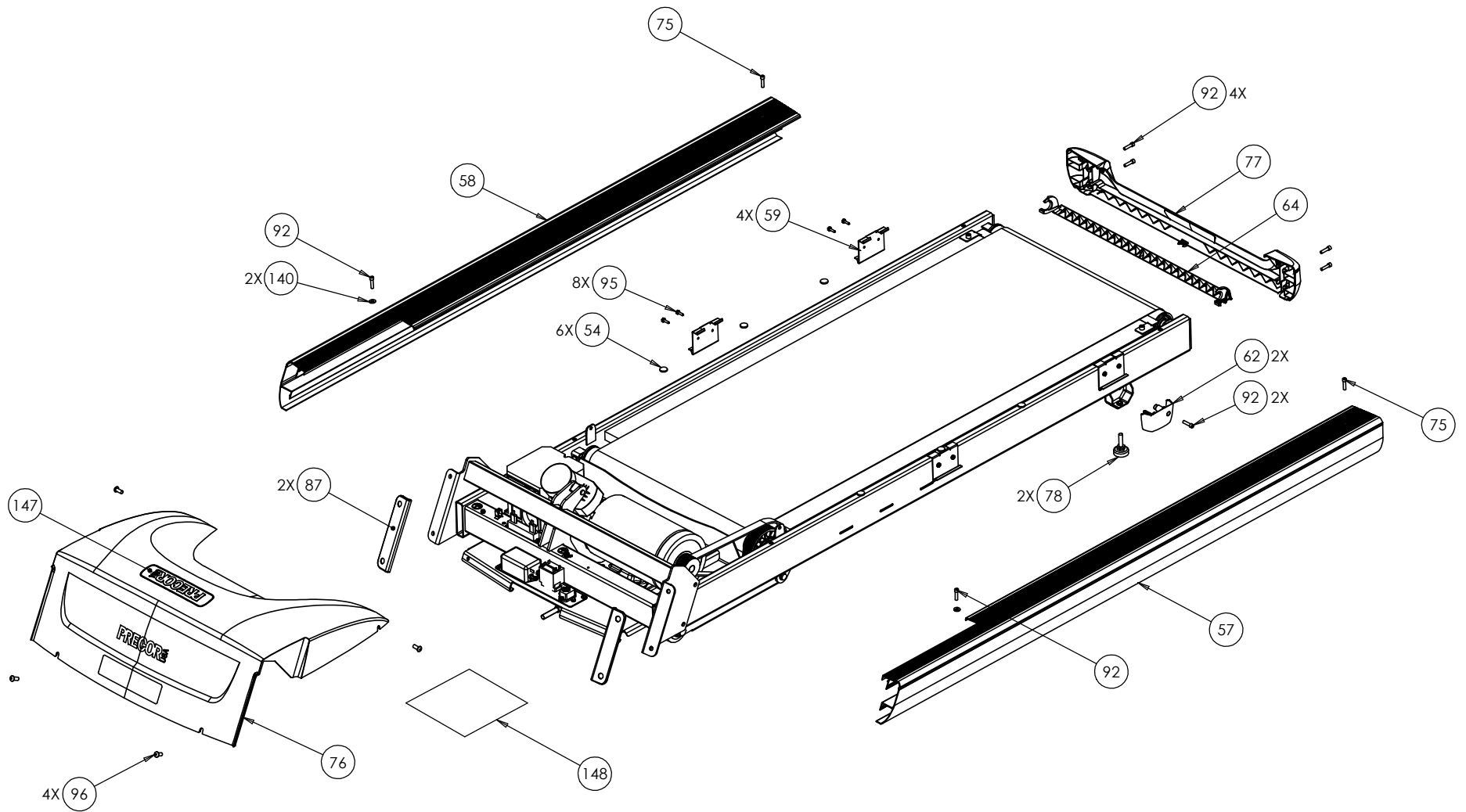




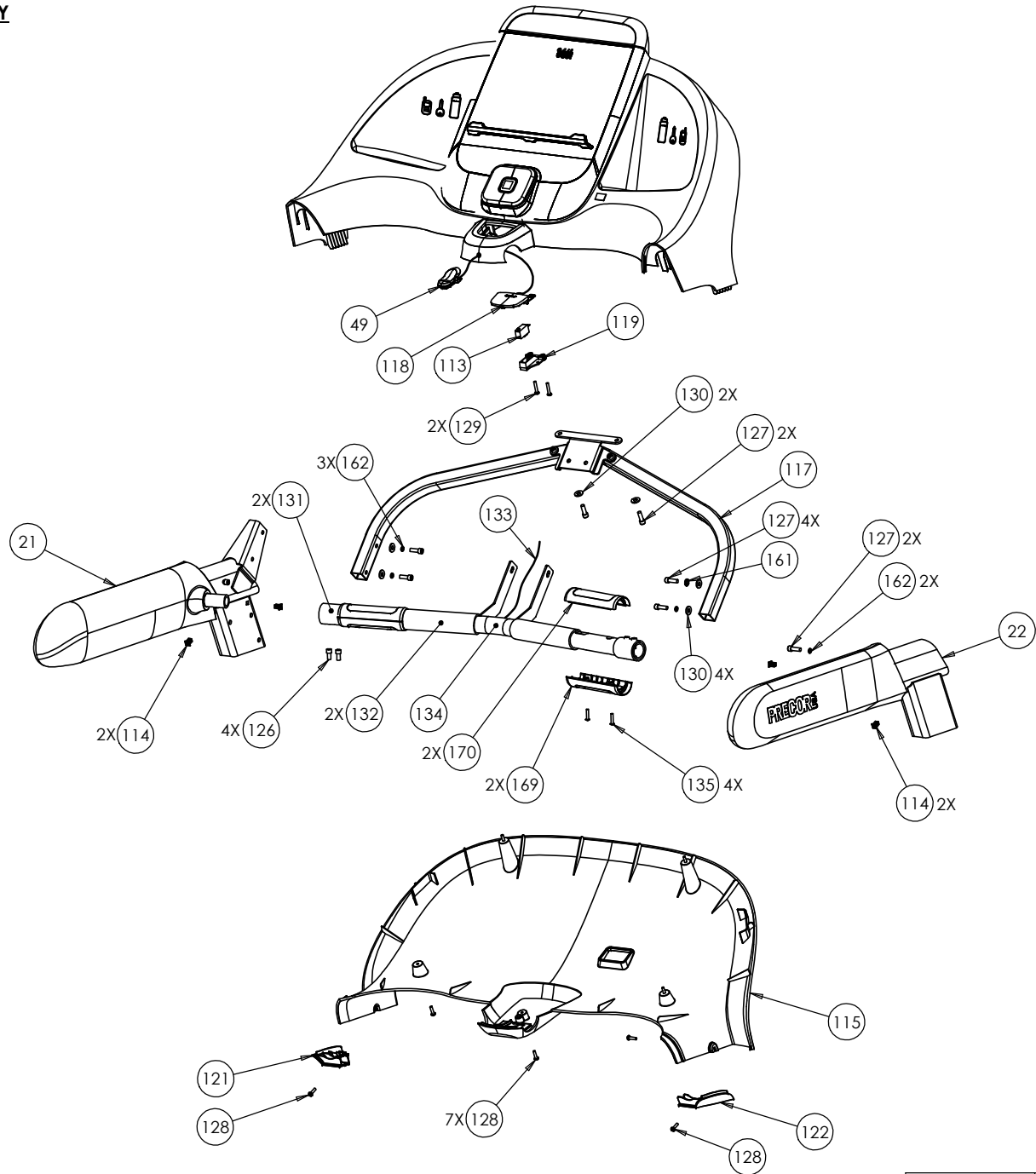
C932I, C946I	P/N : 35937-101	SUBREV : M
DRAWN BY : C THOMSON	DATE : 15 JUN 2011	SHEET 1 OF 8



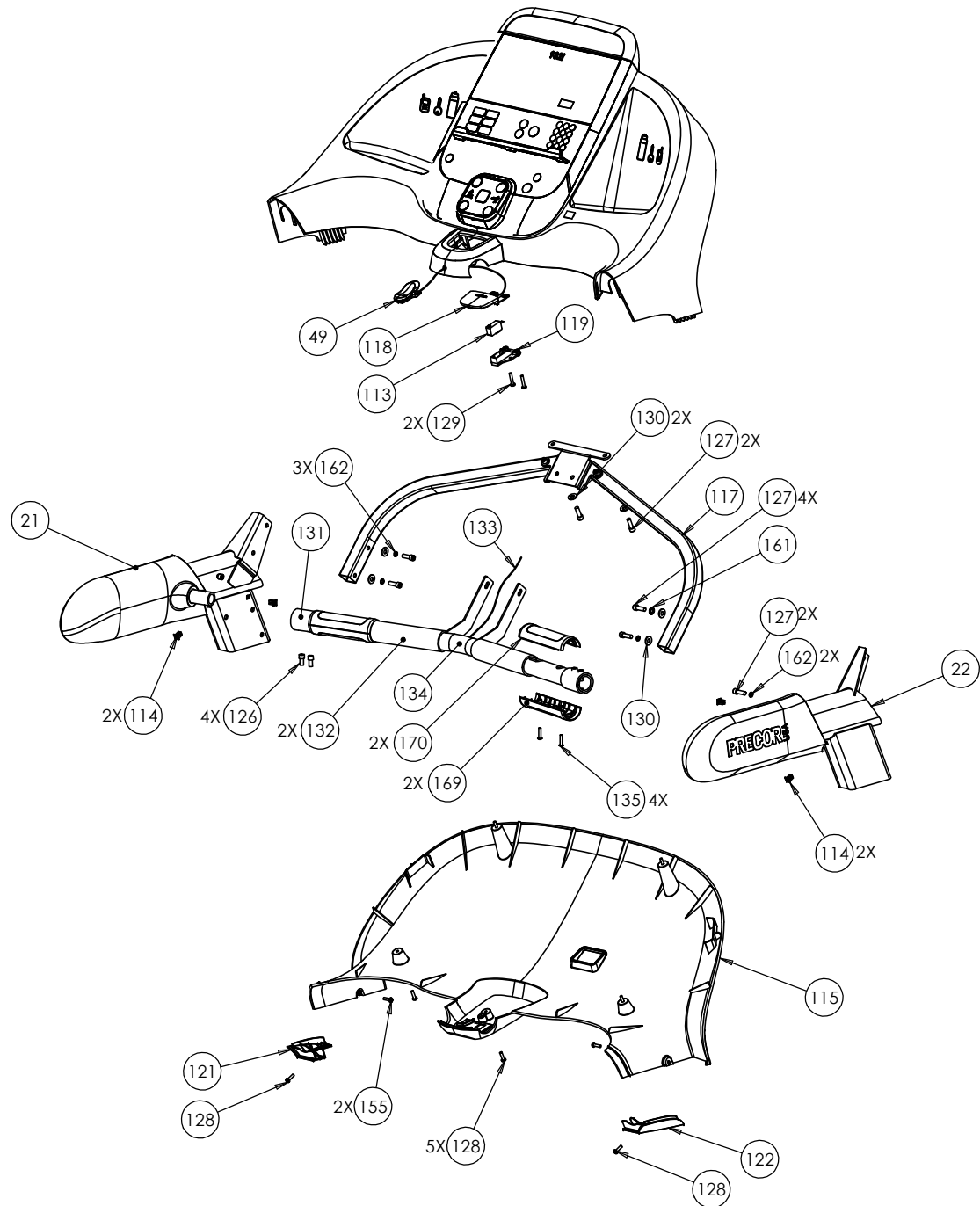




**C946i DISPLAY
ASSEMBLY**



**C932i DISPLAY
ASSEMBLY**



**C932i & C946i
DISPLAY ASSEMBLY**

